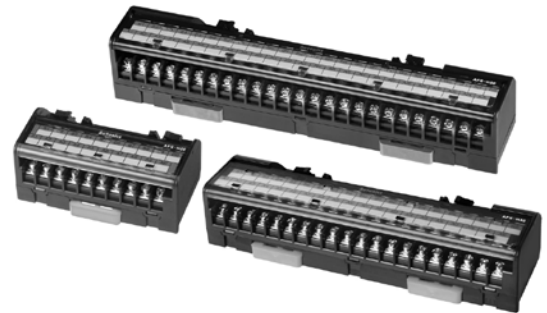


Interface terminal block

■ Features

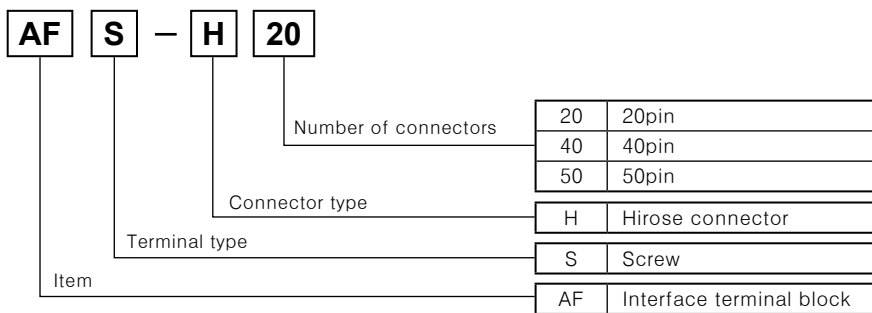
- Compact interface terminal block – 7mm of terminal pitch
- Optimized for connector type PLC and dedicated controller I/O
- Space saving mounting with compact size
- Two ways of mounting (DIN Rail, bolt fix)



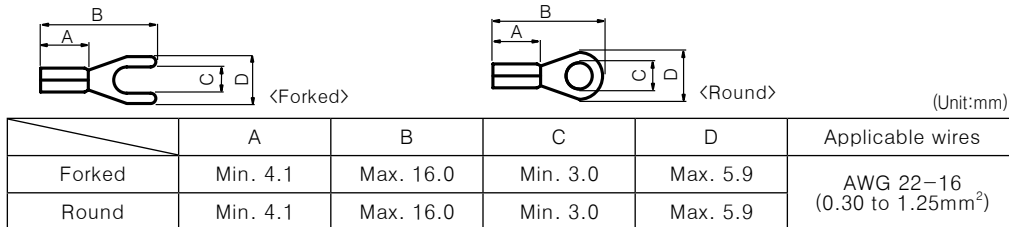
(A)
I/O
Terminal

(B)
I/O Cable

■ Ordering information



■ Applicable crimp terminal



■ Specifications

Model	AFS-H20	AFS-H40	AFS-H50
Rated voltage	Max. 125VDC, 125VAC 50/60Hz		
Rated current	Max. 1A		
Number of connectors	20Pin	40Pin	50Pin
Number of terminals	20pcs	40pcs	50pcs
Terminal pitch	7.0mm		
Applicable wires	Min. 1.25mm ²		
Insulation resistance	Min. 1,000MΩ (at 500VDC megger)		
Dielectric strength	600VAC 50/60Hz for 1 minute		
Vibration resistance	0.75mm amplitude at frequency of 10 to 55Hz in each X,Y,Z direction for 2 hour		
Shock resistance	150m/s ² (Approx. 15G) in X, Y, Z directions for 3 times		
Environ- men	Ambient temperature	-15 to 55°C, Storage: -25 to 65°C	
	Ambient humidity	35 to 85%RH, Storage: 35 to 85%RH	
Material	CASE : MPPPO, TERMINAL PIN : Brass		
Tightening torque	0.4 to 0.6 N · m		
Unit weight	Approx. 71g	Approx. 133g	Approx. 163g

*Environment resistance is rated at no freezing or condensation.

AFS

ACS

AFE

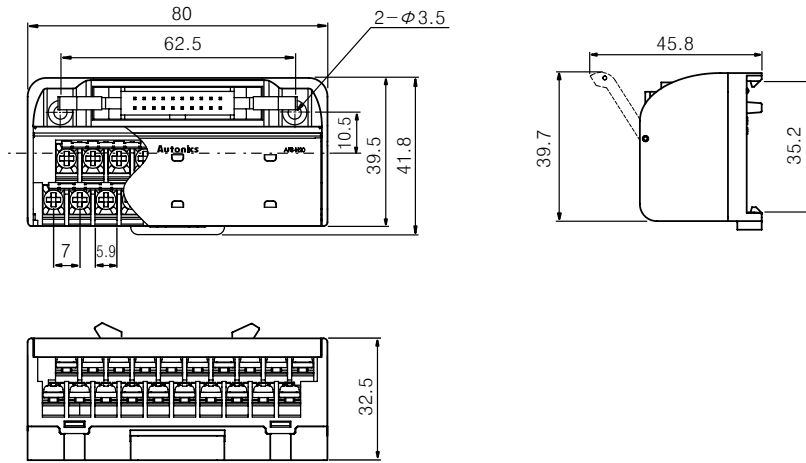
ABS

Relay

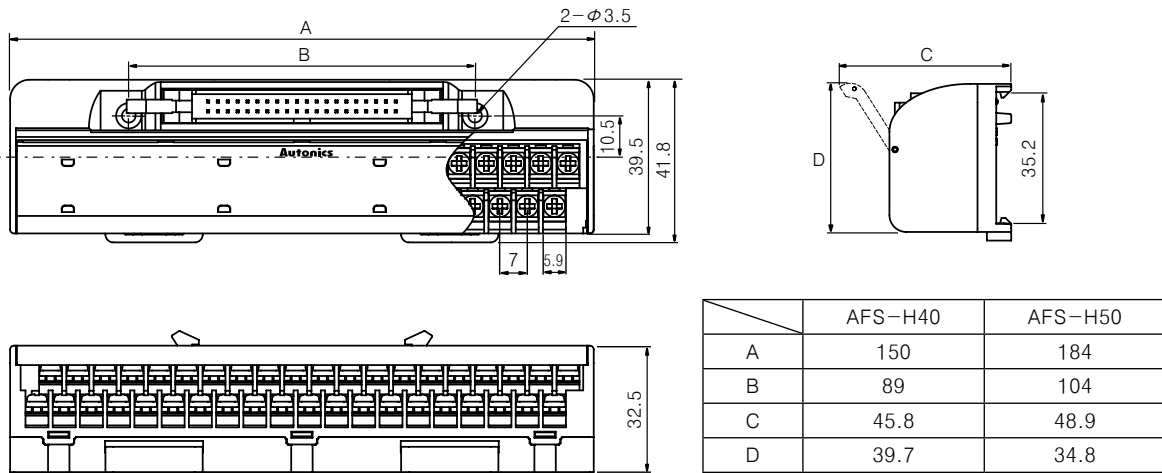
AFS Series

▣ Dimensions

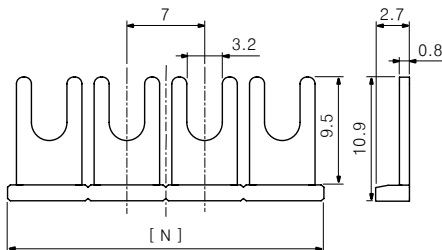
● AFS-H20



● AFS-H40 / AFS-H50



● Jumper Bar



※ Jumper Bar is sold separately.

Model	JB-7-04	JB-7-10
Number of pins	4ea	10ea
[N] Size	27.5	69.5

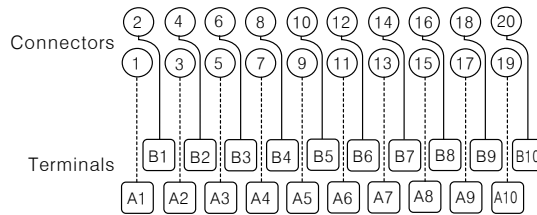
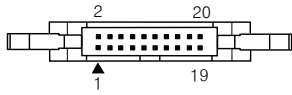
(Unit:mm)

Interface Terminal Block

Wire connections

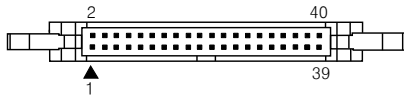
●AFS-H20

※Hirose connector model no.
: HIF3BA-20PA-2.54DSA

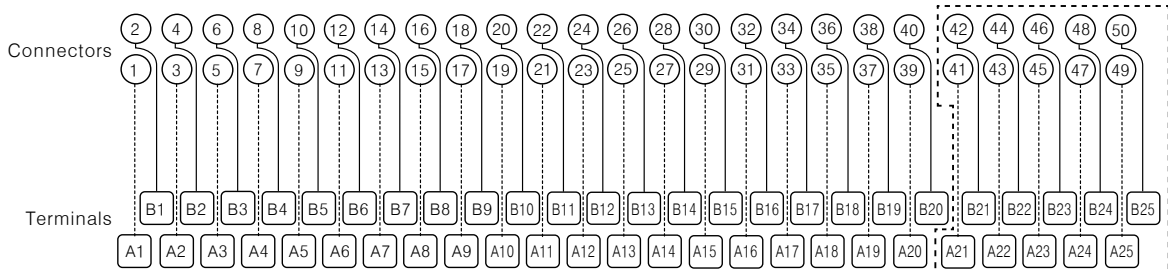
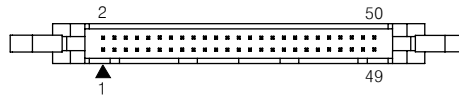


●AFS-H40 / AFS-H50

※Hirose connector model no.
: HIF3BA-40PA-2.54DSA



※Hirose connector model no.
: HIF3BA-50PA-2.54DSA



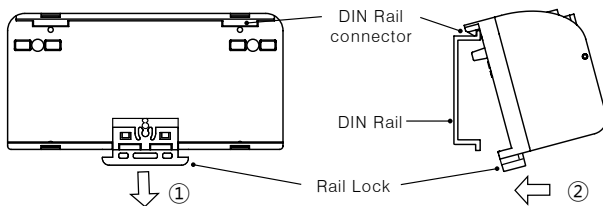
※Dot line part is only for
AFS-H50 model.

Installation

○Mounting to and Removing from DIN Rail.

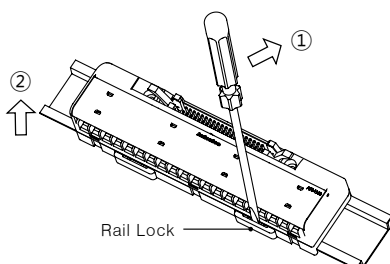
●Mounting

- 1) Push Rail Lock to the direction "①".
- 2) Hook DIN Rail connector onto DIN Rail.
- 3) Push the unit down to the direction "②" and then push up the Rail Lock to the opposite direction "①".



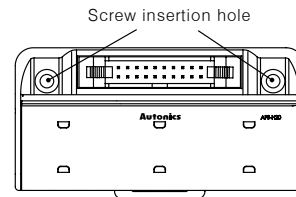
●Removing

- 1) Insert a screwdriver into hole of Rail Lock and pull the lock out to the direction "①".
- 2) Remove the unit by pulling to the direction "②".



○Fixing with bolt

- 1) Screw insertion holes are used for mounting the unit on panel.
- 2) It is recommended to use M3×30mm of spring washer screws and to use flat washers which are diameter Ø6. The tightening torque should be 0.5 to 0.7N·m.



(A)
I/O
Terminal
(B)
I/O Cable

AFS

ACS

AFE

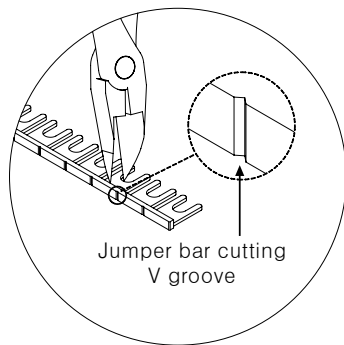
ABS

Relay

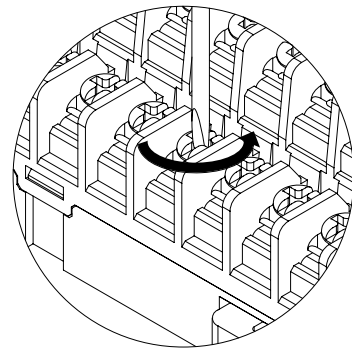
AFS Series

■ How to install jumper bar

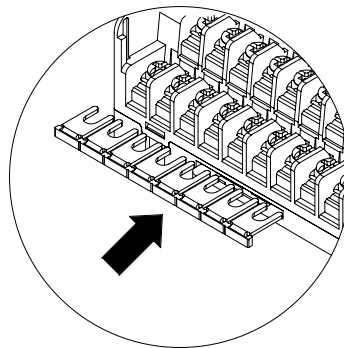
1) Cut the jumper bar for the desired length to fit cutting V groove with nipper, etc.



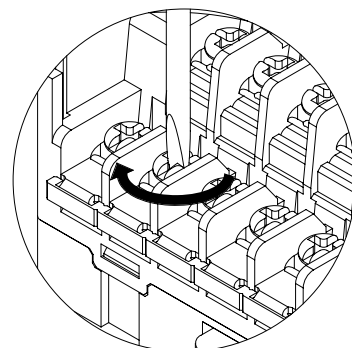
2) Unfasten the terminal screws for common.



3) Put jumper bar under the unfastened terminal screws.



4) Tighten all of screws upside the jumper bar.



■ Caution for using

1. Use the product within the specified ratings for operating temperature and humidity.
2. Maintain voltage fluctuations in the power supply within specified range.
3. Check the polarity of power and wrong wiring.
4. Use AWG 16 (1.25mm²) wire and applicable crimp terminals to the terminal block.
5. Always turn OFF the power supply before wiring or removing connectors.
6. Do not use this unit at below places.
 - (1) Place where there is severe vibration or impact.
 - (2) Place where strong alkalis or acids are used.
 - (3) Place where there are direct ray of the sun.
 - (4) Place where strong magnetic field or electric noise are generated.
7. Installation environment.
 - (1) It shall be used indoor
 - (2) Altitude Max. 2000m
 - (3) Pollution Degree 2
 - (4) Installation Category II